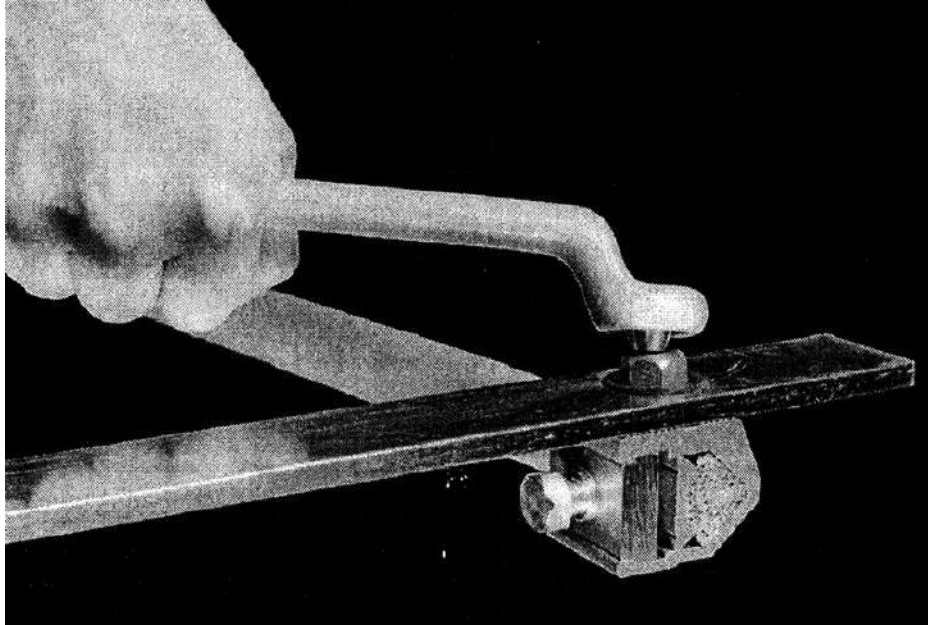


### UT Connectors



#### Principle Application

Termination connections to busbars (max. thickness 8.0mm)

The **Sicame UT** range of mechanical connectors is designed as an alternative to the traditional flat busbar termination with the following advantages: -

1. With the aid of shear torque screws, both to secure the conductor and to bolt the termination to the busbar, the necessary consistency between connections can be achieved without the use of specialised tooling.
2. The full connection can be carried out using basic hand tools.
3. The busbar face of the connector provides a more consistent area of contact with the additional advantage, in the case of aluminium busbars, of surface oxide rupture and penetration under pressure.\*
4. By employing a double-headed shear screw at the busbar interface, any subsequent disconnection is a simple matter.

\*Note: With tinned copper busbars, the tin acts effectively as a bi-metallic interface and the soft tin surface layer yields under pressure to the surface ridges of the connector, deforming around the penetrating aluminium as a corrosion-resistant contact.

**UT Connectors**

**UT1 CONNECTOR**

*(51803-03)*

**Conductor**

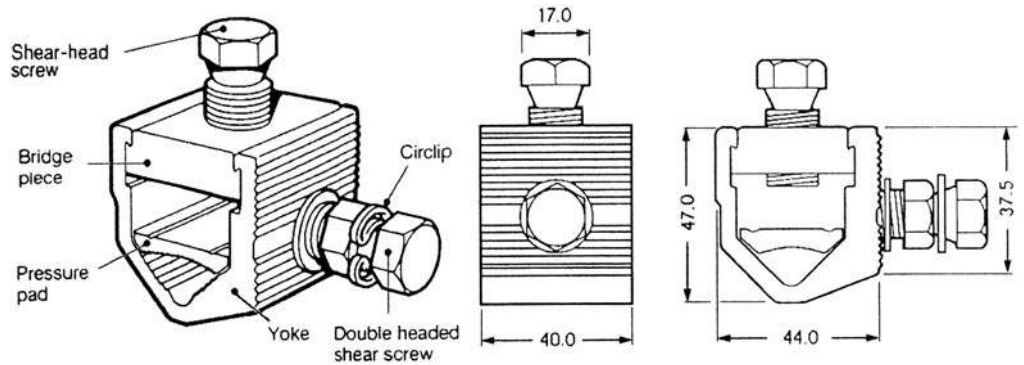
3 & 4 core Stranded

**Principle Range**

240 - 300 mm<sup>2</sup>

**Material**

Aluminium Alloy



**UT2 CONNECTOR**

*(3395-516)*

**Conductor**

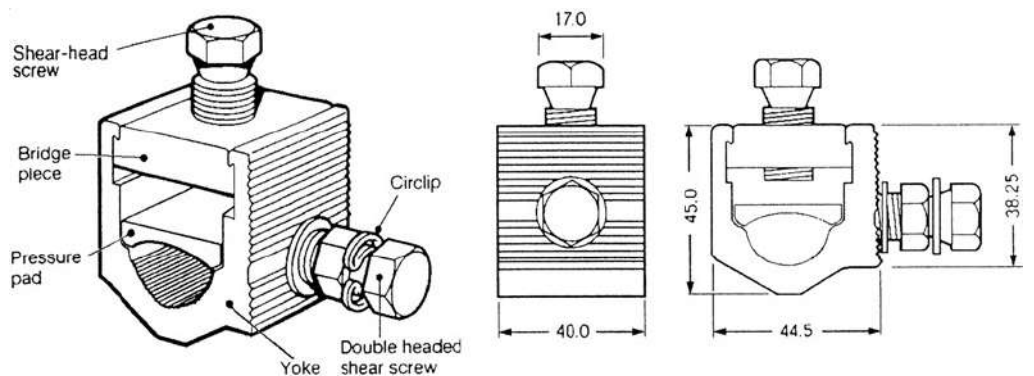
Circular Stranded

**Principle Range**

185-300mm<sup>2</sup>

**Material**

Aluminium Alloy



**UT3 CONNECTOR**

**Conductor**

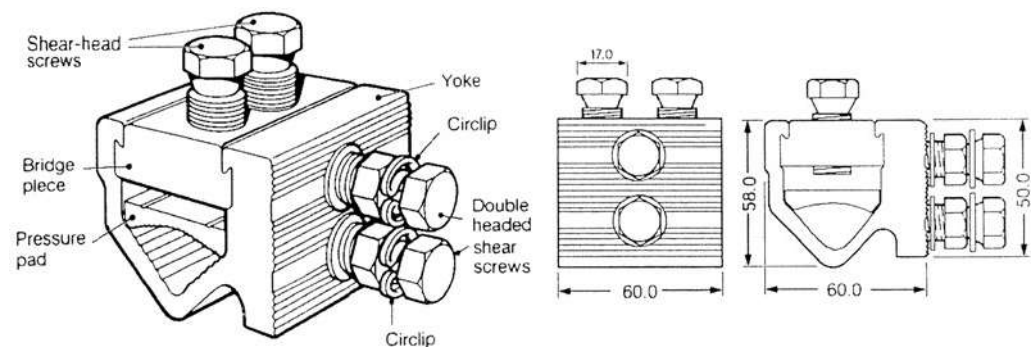
3 & 4 core Stranded

**Principle Range**

400 - 500 mm<sup>2</sup>

**Material**

Aluminium Alloy



**UT Connectors**

**UT4 CONNECTOR**

**Conductor**

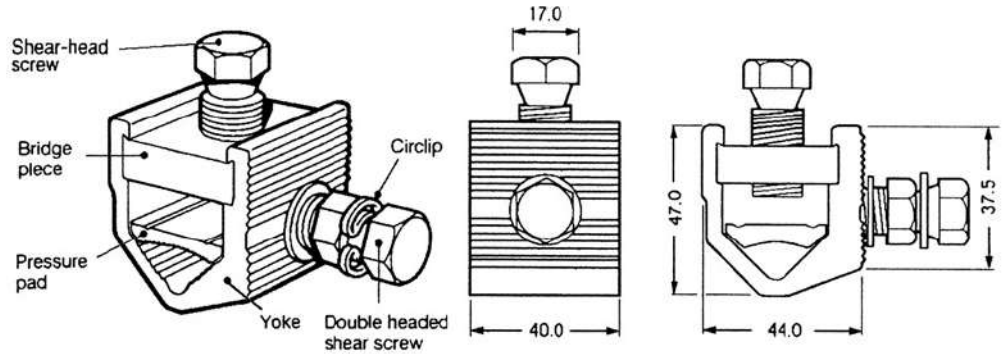
3 & 4 core Stranded

**Principle Range**

150-185mm<sup>2</sup>

**Material**

Aluminium Alloy



**UT5 CONNECTOR**

**Conductor**

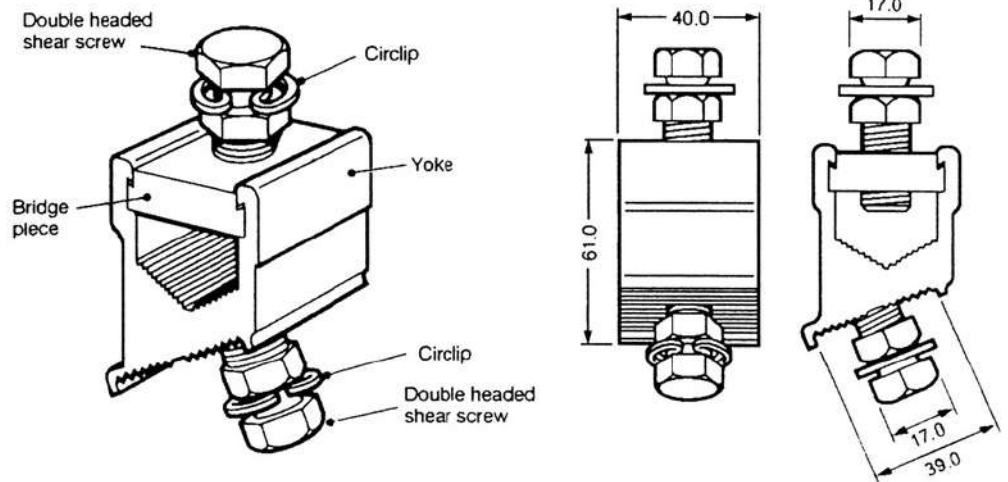
3 & 4 core Solid

**Principle Range**

70-300mm<sup>2</sup>

**Material**

Aluminium Alloy



**UT6 CONNECTOR**

**Mains Conductor**

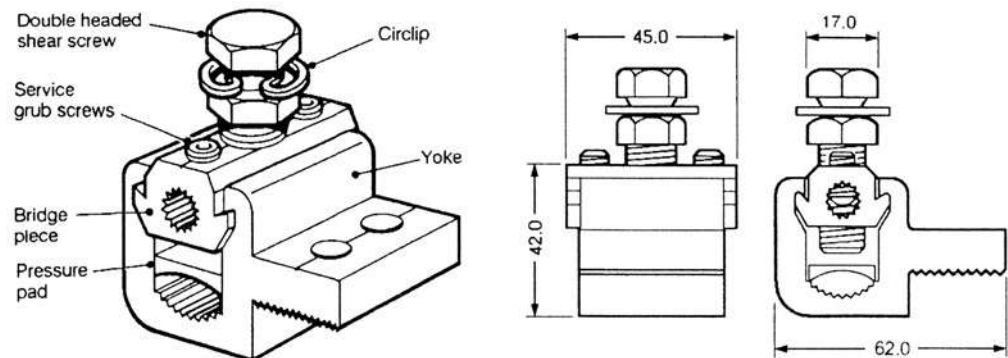
3 & 4 core Stranded or  
Solid Circular

**Principle Range**

90-150mm<sup>2</sup>  
Service Conductor: -  
2 x 4-35mm<sup>2</sup>

**Material**

Aluminium Alloy



**UT Connectors**

**UT7 CONNECTOR**

**Conductor**

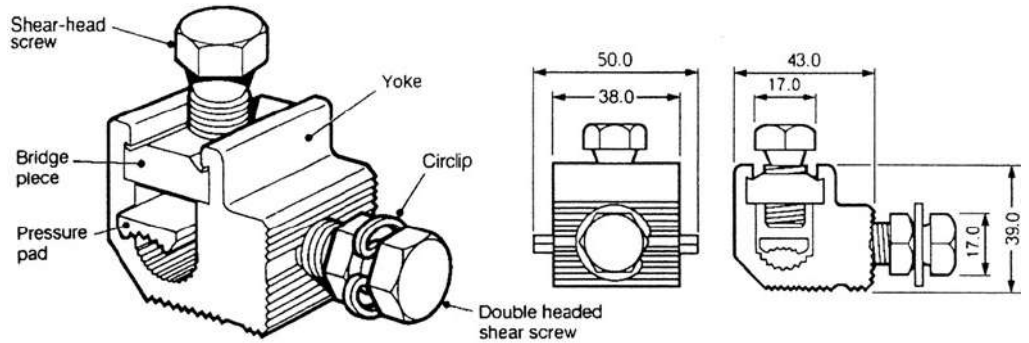
Stranded Neutrals

**Principle Range**

50-150mm<sup>2</sup>

**Material**

Aluminium Alloy



**UT8 CONNECTOR**

**Conductor**

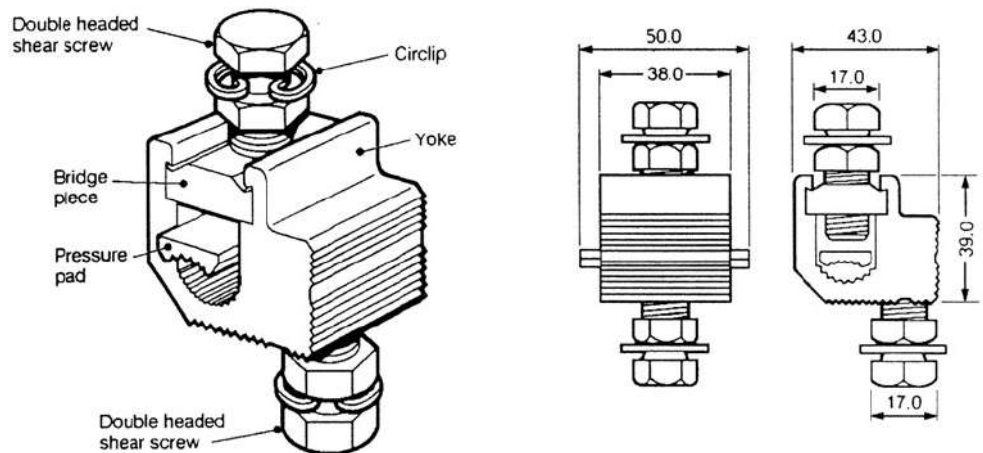
Stranded Neutrals

**Principle Range**

50-150mm<sup>2</sup>

**Material**

Aluminium Alloy



**UT9 CONNECTOR**

(3395-513)

**Conductor**

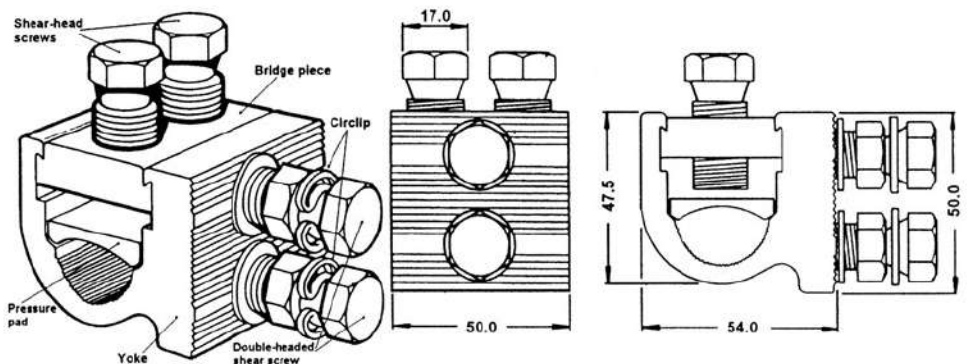
Circular Stranded

**Principle Range**

400mm<sup>2</sup>

**Material**

Aluminium Alloy



**UT Connectors**

**UT10 CONNECTOR**

(51807-73)

**Conductor**

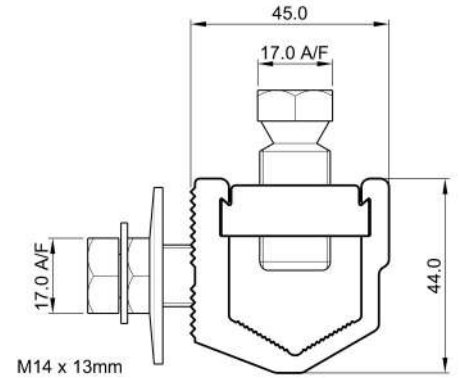
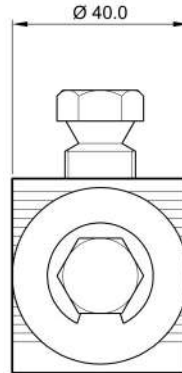
3 & 4 core Solid Al.

**Principle Range**

185-300mm<sup>2</sup>

**Material**

Aluminium Alloy



M14 x 13mm

**UT11 CONNECTOR**

**Conductor**

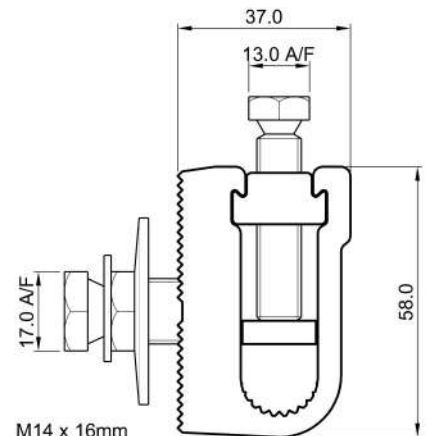
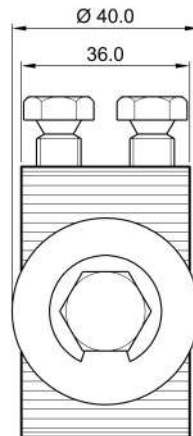
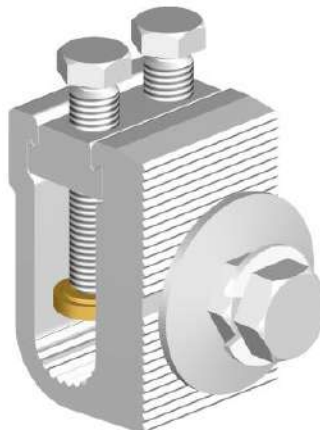
Stranded Neutrals  
Al/Cu

**Principle Range**

43-116mm<sup>2</sup>

**Material**

Aluminium Alloy



M14 x 16mm

**UT12 CONNECTOR**

**Conductor**

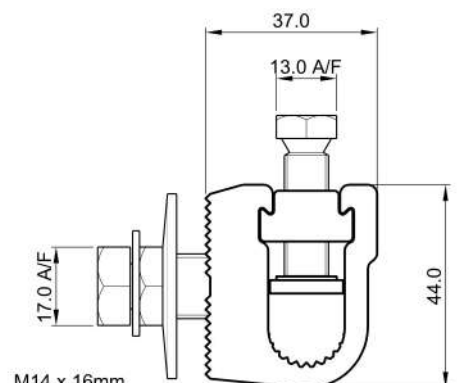
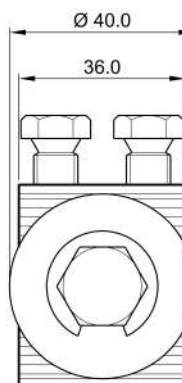
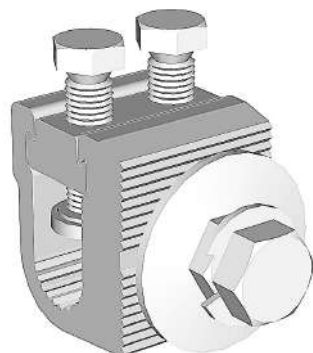
Stranded Neutrals  
Al/Cu

**Principle Range**

43-116mm<sup>2</sup>

**Material**

Aluminium Alloy



M14 x 16mm

**UT Connectors**

**UT13 CONNECTOR**

(3395-508)

**Conductor**

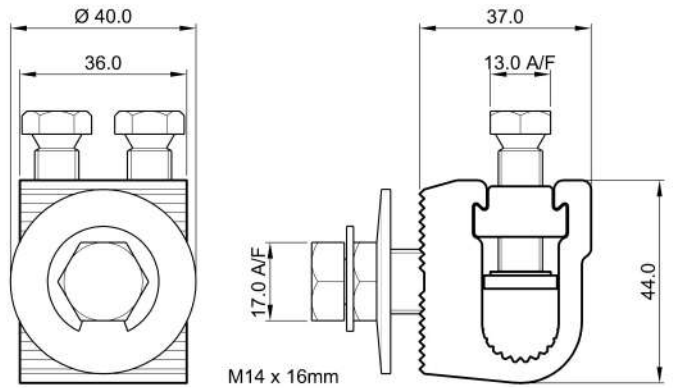
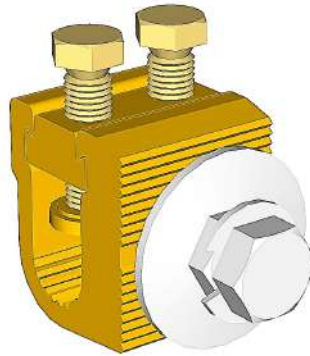
Stranded Neutrals  
Al/Cu

**Principle Range**

43-116mm<sup>2</sup>

**Material**

Copper Alloy



**UT14 CONNECTOR**

**Conductor**

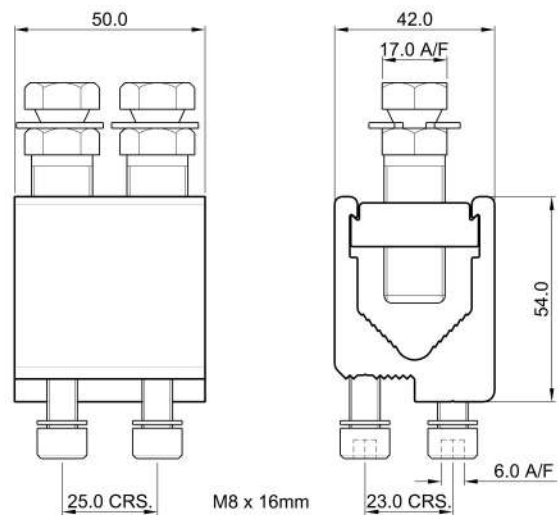
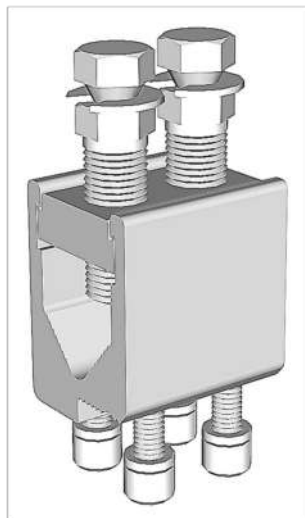
3 & 4 core Solid Al.

**Principle Range**

95-300mm<sup>2</sup>

**Material**

Aluminium Alloy



**UT15 CONNECTOR**

**Conductor**

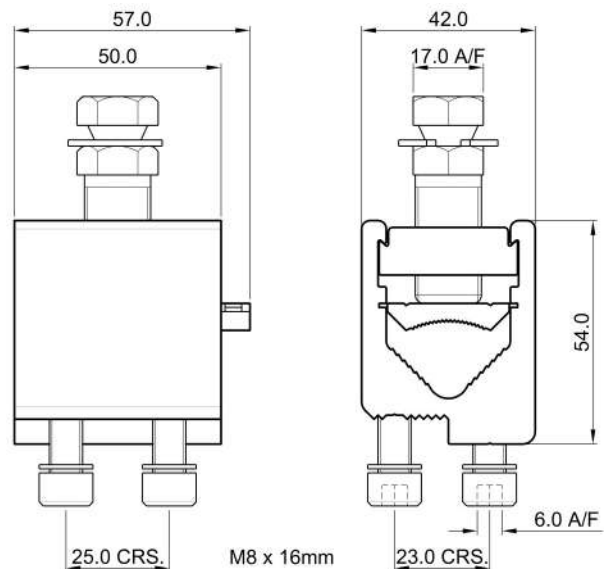
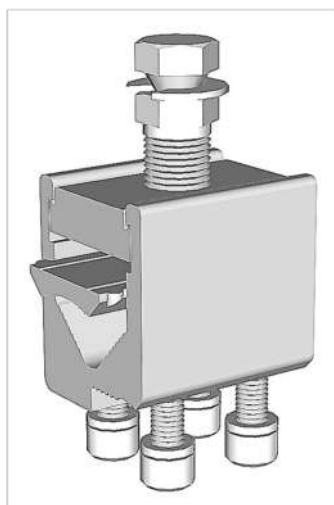
3 & 4 core Stranded  
Al/Cu

**Principle Range**

150-300mm<sup>2</sup>

**Material**

Aluminium Alloy



**UT Connectors**

**UT16 CONNECTOR**

**Conductor**

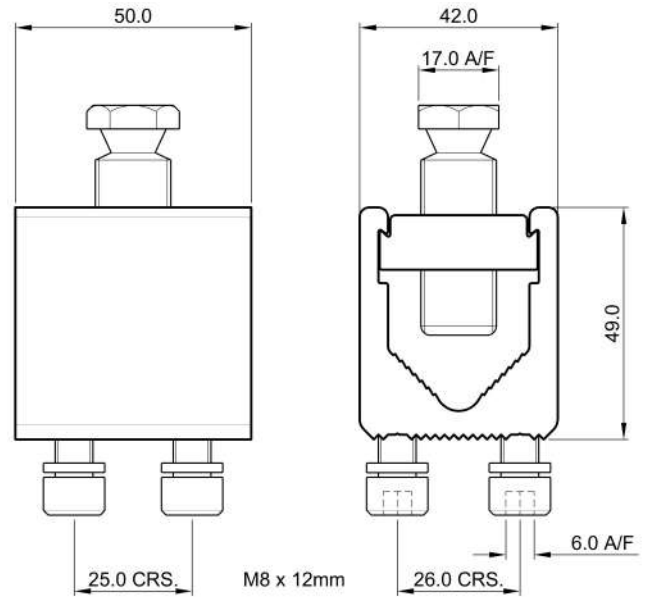
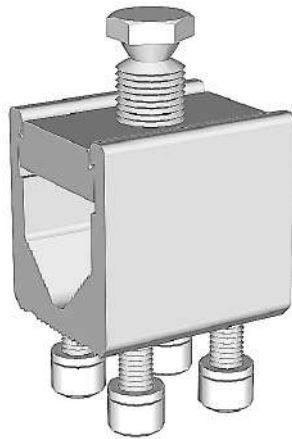
3 & 4 core Solid Al.

**Principle Range**

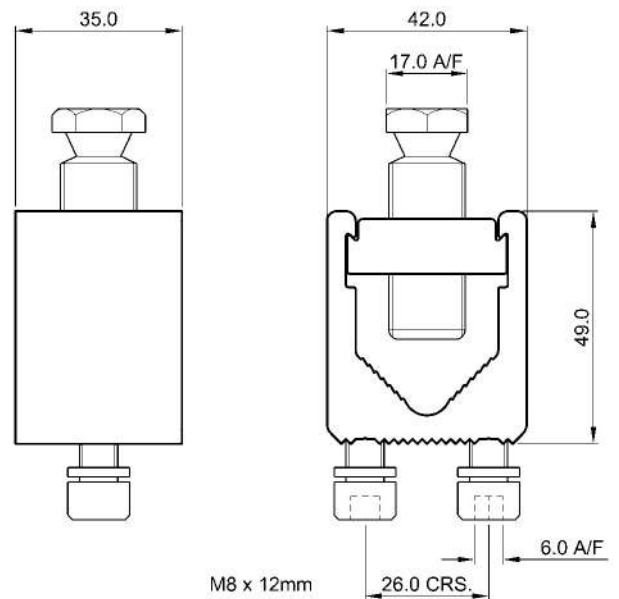
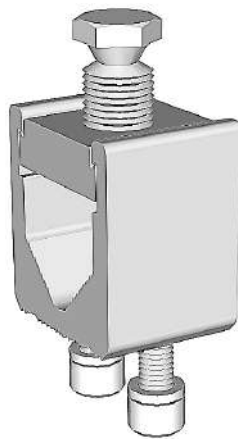
70-300mm<sup>2</sup>

**Material**

Aluminium Alloy



**UT16/C CONNECTOR  
(Variation on UT16)**



**UT17 CONNECTOR**

**Conductor**

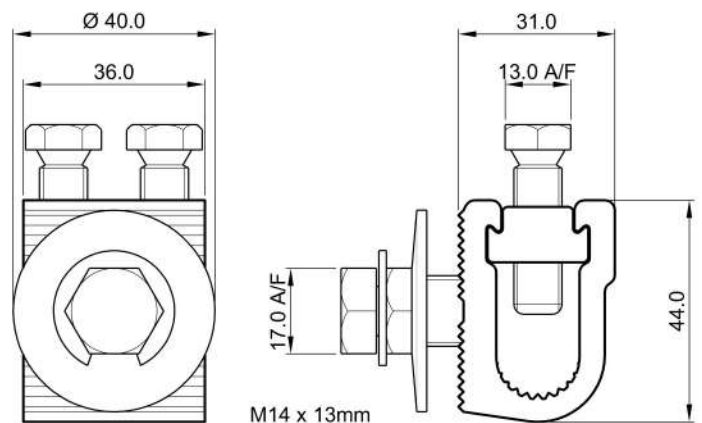
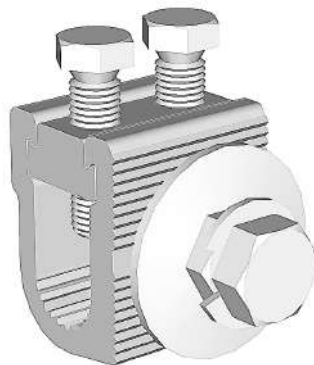
Stranded Neutrals  
Al/Cu

**Principle Range**

43-116mm<sup>2</sup>

**Material**

Aluminium Alloy



## **UT Connectors**

### **Fitting Instructions**

Set the conductor to the required position, cut to length and strip the insulation equal to the connector length plus 5 mm. Thoroughly abrade the exposed conductor and clean, or if necessary, abrade the busbar in the contact area (e.g. in the case of aluminium). Assemble the connector around the conductor and tighten the screw sufficiently to secure to the conductor, temporarily, but do not shear the screw head at this stage. Offer the connector to the busbar and assemble using the double-headed shear screw, adjusting the position of the connector on the cable if necessary. Carefully tighten the double-headed screw, using the outer screw head only, until the head shears, ensuring that the socket does not engage or foul the lower hexagon. Finally check for correct alignment of the conductor and tighten the cable clamping screw until the head shears.

### **NOTES**

1. The connector is normally supplied with disc-spring type washers for the busbar clamping screw but if the busbar is less than 8 mm (or 5/16") thick, suitable spacer washers must be used to achieve a nominal thickness of 8 mm or 5/16".
2. If copper cable is to be jointed it should be wrapped in brass gauze to improve the electrical stability of the interface connection.
3. Should it be necessary to disconnect the fitting from the busbar, it should only be reconnected using the genuine replacement double-headed shear screw.